

ROMPOX[®] 1107

The newest generation ESD Coating

■ Coating (at least 1,6 kg/m²)
All required DIN values are reached regardless of layer thickness. Many standard colours available (e.g. approx. RAL 9001), special colours on request.
ROMPOX[®] 1107 ESD Coating

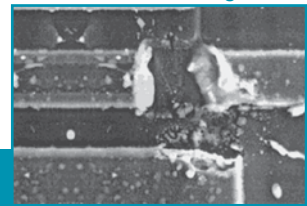
■ Conductive paint (0,200 kg/m²)
ROMPOX[®] 1104 ESD conductive paint

■ Copper wire (approx. 0,002 m/m²)
ROMPOX[®] 1106 ESD copper wire

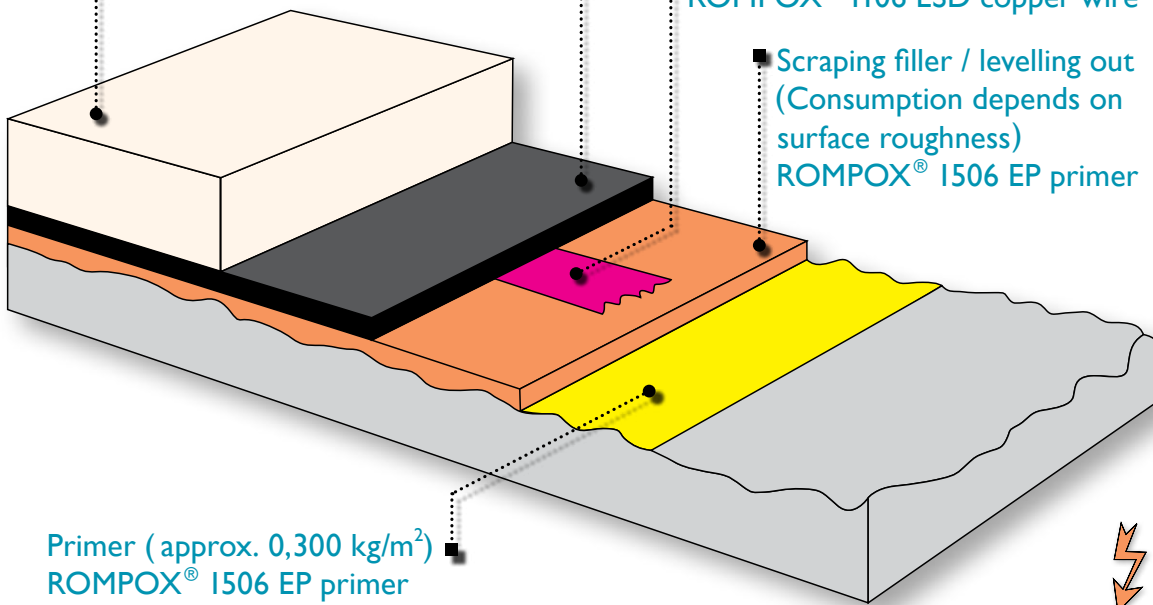
■ Scraping filler / levelling out
(Consumption depends on surface roughness)
ROMPOX[®] 1506 EP primer

■ Primer (approx. 0,300 kg/m²)
ROMPOX[®] 1506 EP primer

Avoid such damage!



Damaged electronic circuits magnified 5000 times



System set up for ROMPOX[®] 1107 ESD Coating

ROMPOX® II07 ESD Coating

Do you work with electronic components in the electronics production industry, industrial electronics industry, computer technology, telecommunications technology or in the automobile electronics industry?

These components can get damaged by uncontrolled electrostatic discharge. This happens unnoticed. Discharge from as little as 100 V can cause damage. High financial losses occur, for example when product recall actions have to be carried out.

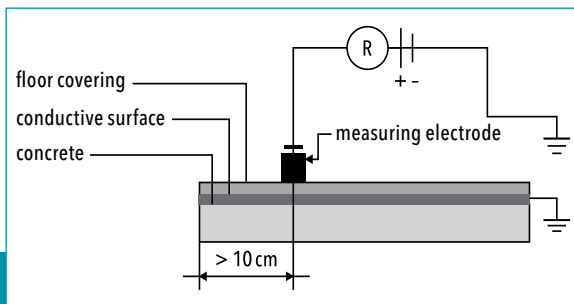
The chemically and mechanically load bearing ROMPOX® II07 ESD Coating, which guarantees controlled discharge, prevents this kind of damage! In addition to this, transport and movement-free working is ensured. Each work area is safe. If the system “human - shoe - floor” is used as the main method for earthing people, then, with the ROMPOX® II07 ESD Coating, all the DIN 61340-5-1 required specifications will be fulfilled.

Properties:

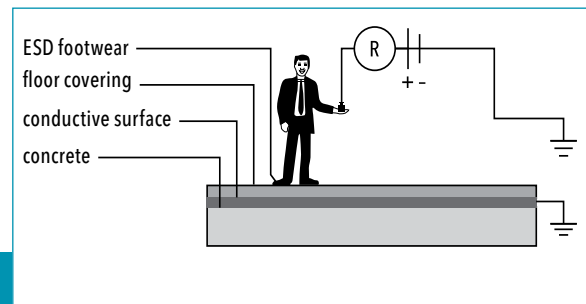
- The ROMPOX® II07 ESD Coating properties are achieved through use of chemical additives, that means the addition of conductive additives such as fibres and granulates, are not necessary.
- Fulfills DIN EN 61340 Part 4-1 - by measuring the resistance to earth.
- Fulfills DIN EN 61340 Part 4-5 - using the walking test, measuring body tension.



Certified safety confirmed by recognised test centres!



Measuring the resistance to earth



Human - shoe - floor

Further excellent marks of quality and properties:

- Electrically conductive
- Various layer thicknesses are possible
- Just one abrasion layer (surface sealing not necessary)
- Homogenous and shiny surface
- Mechanically load bearing
- Highly abrasion resistant
- High compressive strength
- Chemically load bearing
- Viscous elastic
- Joint free
- Self-levelling
- Solvent free
- Dust free
- Easy to clean
- Can be repaired

Many standard colours available (e.g. approx. RAL 9001), special colours on request.

Technical data for ROMPOX® 1107 ESD Coating:

	Recommended values according to DIN	Tested values
Can be walked on, light loads after:	-	Approx. 24 hrs.
Fully hardened and fully load bearing after:	-	7 days
Shore D hardness:	-	70
Compressive strength:	-	approx. 55 N/mm ²
Tensile strength:	-	approx. 35 N/mm ²
Re-application time:	-	12-24 hrs.
Resistance to earth DIN EN 61340-4-1:	$< 1 \times 10^9 \Omega$	fulfilled
System check "human - shoe - floor" DIN EN 61340-5-1 / 5-2:	$< 3,5 \times 10^7 \Omega$	fulfilled
Walking test, measuring of body tension DIN EN 61340-4-5:	$< 100 \text{ V}$	fulfilled

ROMEX® Quality assurance:

- The laying of this system is only carried out by certified ROMEX® ESD specialist companies
- Neutral ESD measuring and final OK for surfaces, carried out by independent, recognised ESD institutes
- Certified according to DIN EN ISO 9001:2000 by VQZ Bonn

ROMEX® Worldwide registered trademark for our customers

After more than a year and half of research by the ROMEX® Research and Development department, the product ROMPOX® 1107 ESD Coating has been developed. During the more than 30 years of experience with synthetic resin floor coating systems, this product represents a sensational further development. Up until now, ESD Coatings made of synthetic resins, used fibres and granulates to produce conductivity. This method was very limited in its effectiveness because it was extremely dependent on the exact thickness of the coating. Due to the nature of the raw materials, the coating could not be produced in light colours. Thanks to the implementation of new types of raw materials, mixed together in an ideal way, the new product ROMPOX® 1107 ESD Coating has the following advantages:

- Many standard colours (e.g. RAL 9001) are available, special colours on request.
- Unified layer thicknesses are no longer necessary. Using ROMPOX® 1107 ESD Coating, the required leakage resistance as well as all the other required DIN values, are achieved for all layer thicknesses. Concerns regarding this now belong to the past.

References:

ROMEX® Quality assurance means controlled production, laying and measuring exclusively by ISO certified quality management and ROMEX® certified specialist companies. Further ROMEX® products for all industrial and production areas, are supplied by ROMEX® Partners worldwide.



ESD work areas



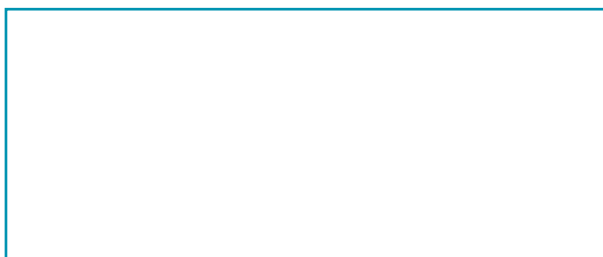
Operating theatres



Areas at risk of explosion

ROMEX® MB GmbH

Weidesheimer Straße 17
 53881 Euskirchen
 Tel.: +49 22 51 / 94 12 10
 Fax: +49 22 51 / 94 12 177
 E-Mail: info@romex-mb.de
 Internet: www.romex-mb.de



ROMEX® partners, representatives and subsidiaries can be found worldwide. Call us, we are happy to advise you!