

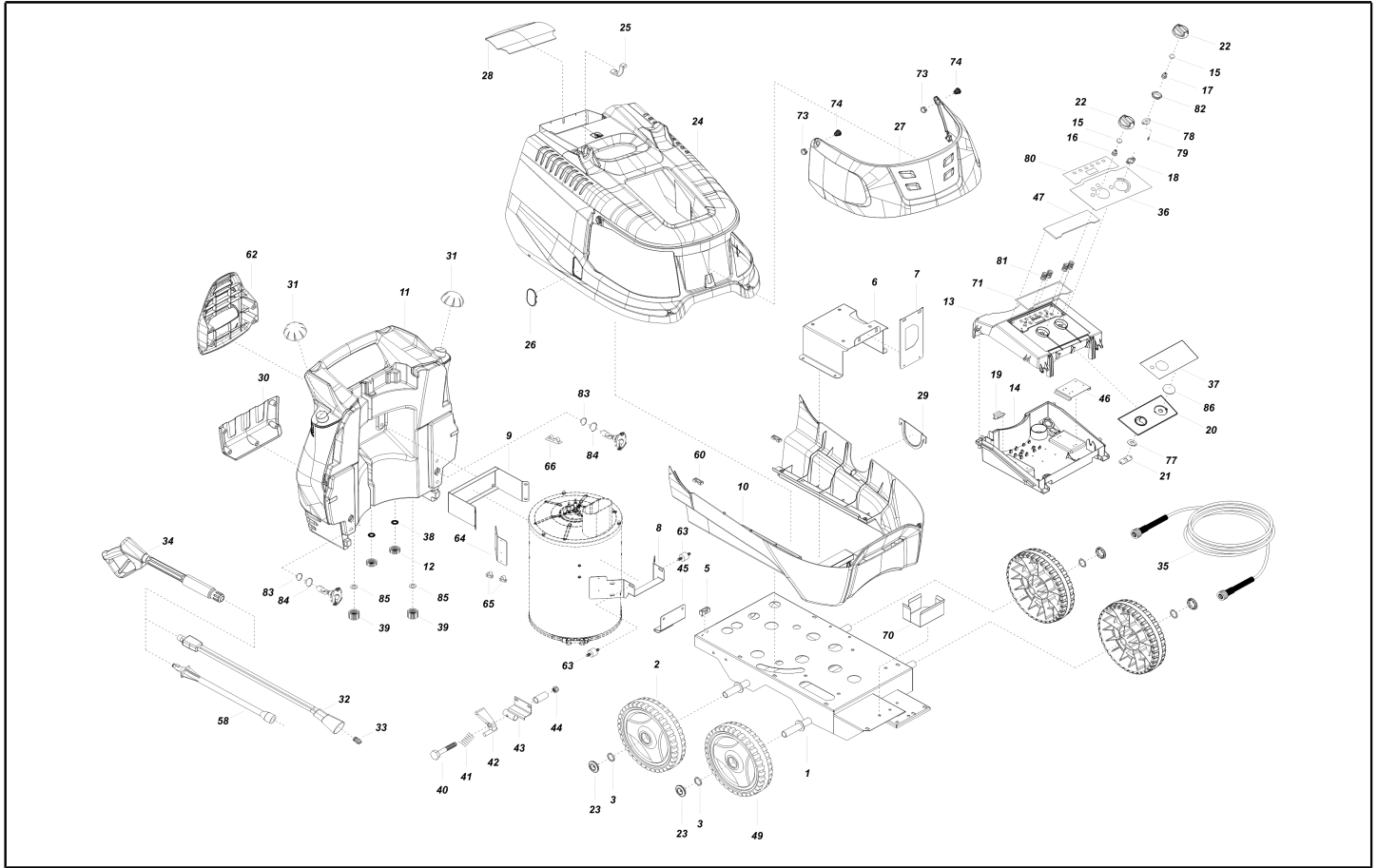


Spare Parts List

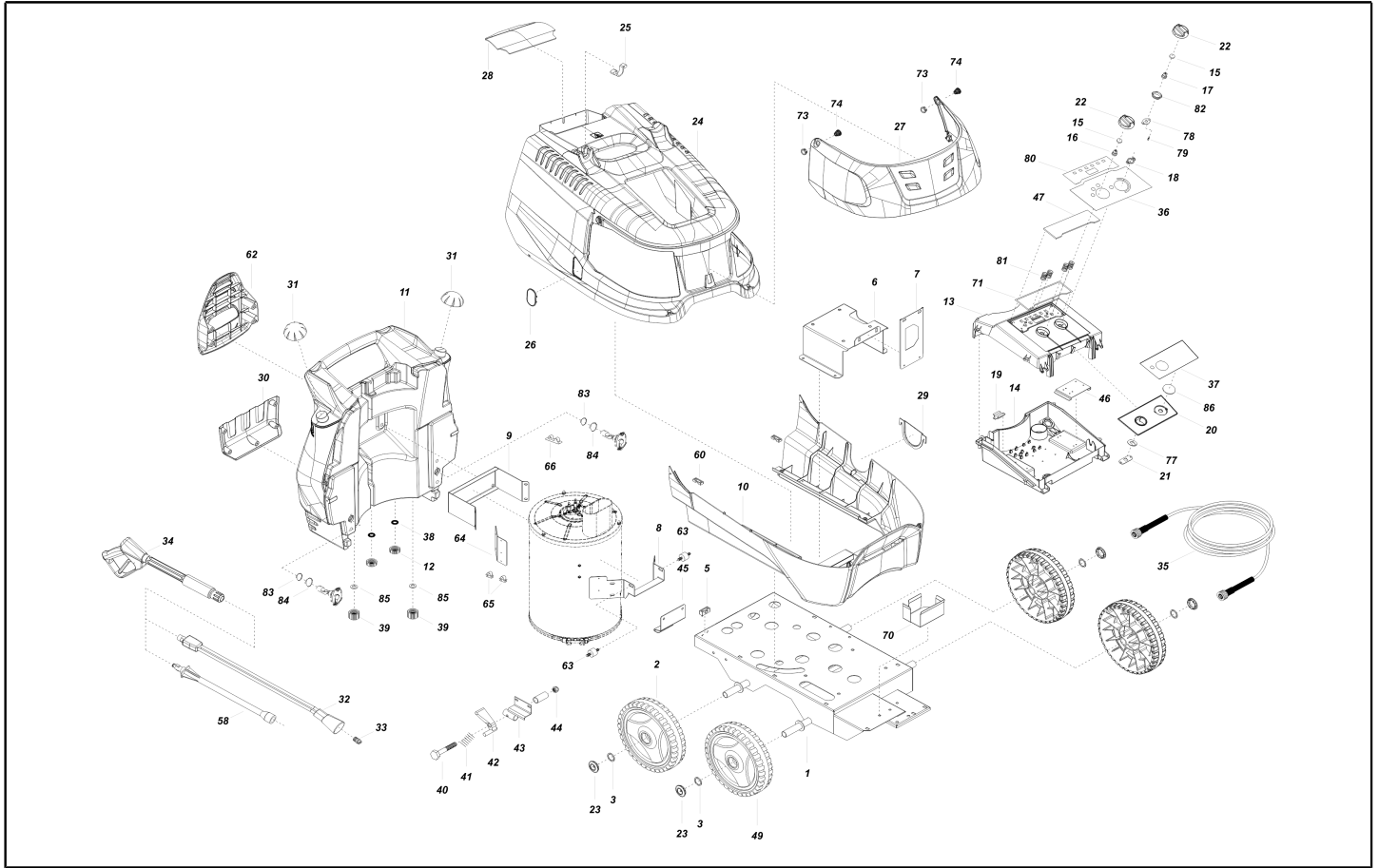
IP Cleaning Srl - Professional

Ref: IDAC41549

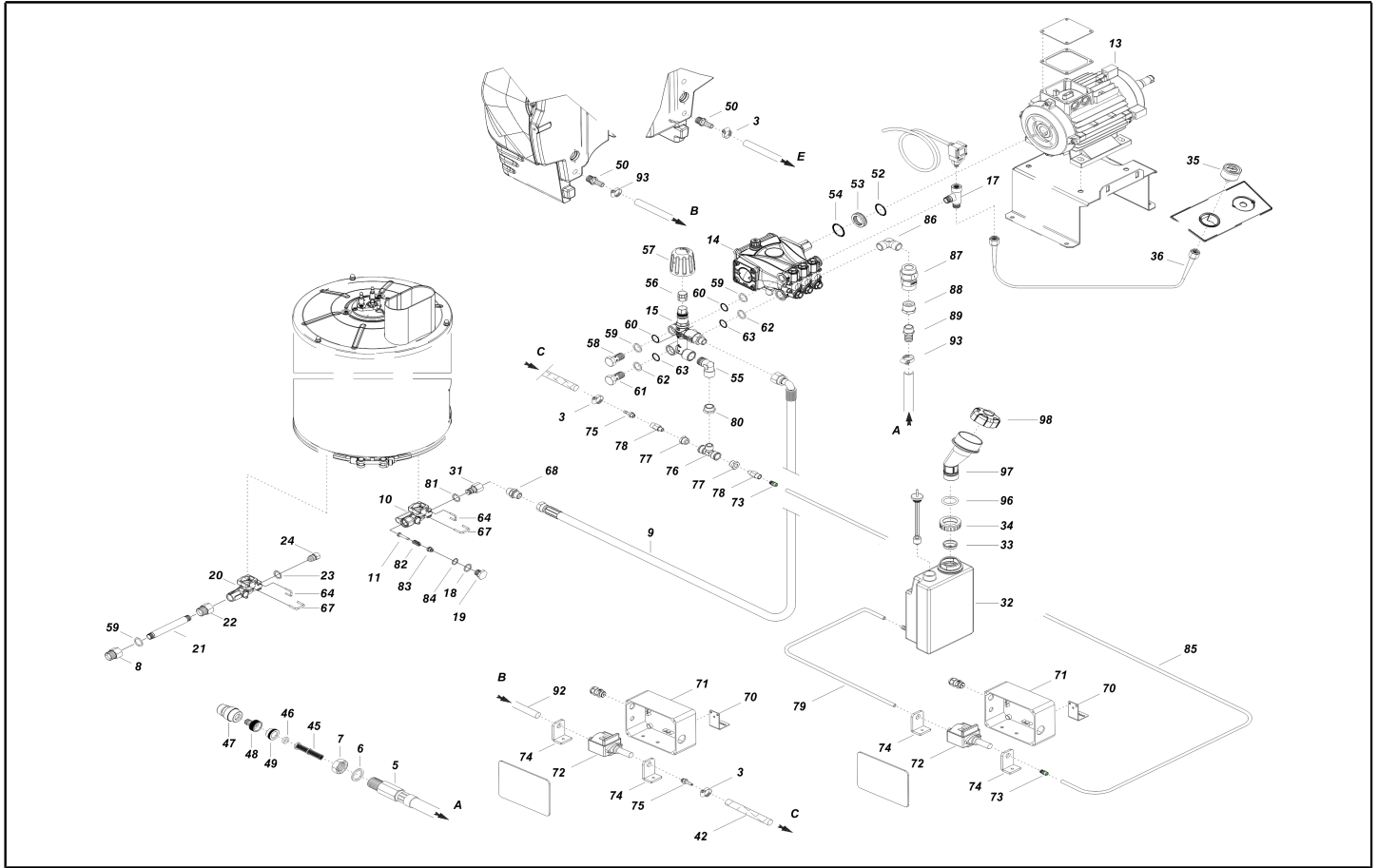
Model: H.P. CLEANER GOLD-H4 D1915P4 T400/50 I



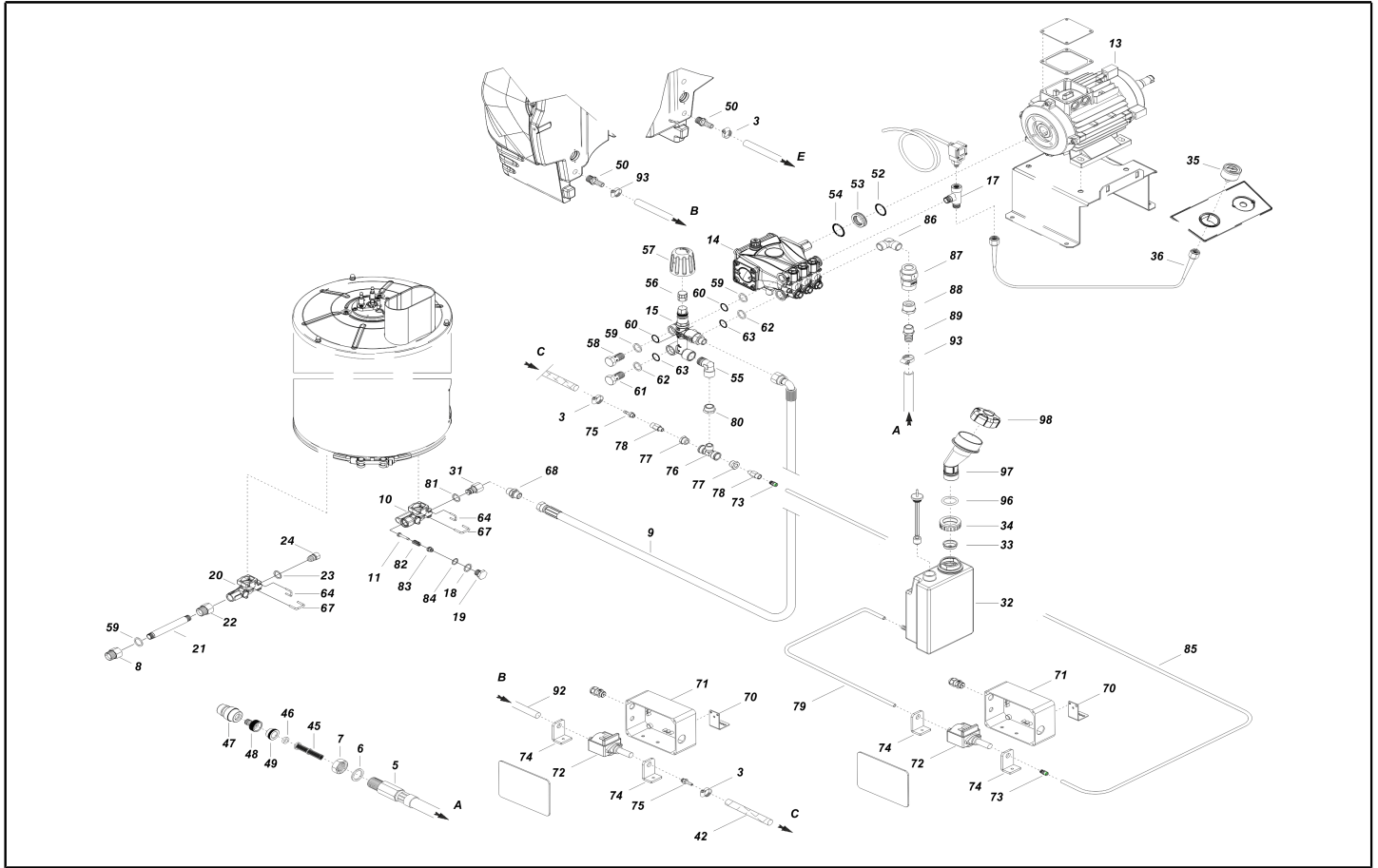
Ref. K	Part N.	Part N. 2	Description	Quantity	Validity		Price
					From	To	
0001	LAFN41356	N/A	TROLLEY PW-H61/4W B.PF. BK.	1,00			--
0002	RTRT40067	N/A	WHEEL D.300-D.25 FLY-IPC/2 RED	2,00			--
0003	VTRS09813	N/A	WASHER D.25	4,00			--
0005	MEVR20906	N/A	CABLE CLAMP KSM	1,00			--
0006	LAFN40550	N/A	MOTOR SUPPORT PW-H35 6.0Hp ZC.	1,00			--
0007	LAFN41366	N/A	SUPPORT PW-H61/6hp AN.ZC.	1,00			--
0008	LAFN40685	N/A	SUPPORT PW-H35/7.5 PS.ZC.	1,00		31/05/2023	--
0008	LAFN41369	N/A	SUPPORT PW-H61 PS.ZC.	1,00	01/06/2023		--
0009	LAFN40835	N/A	BRACKET PW-H35 PM.2 ZC	1,00			--
0010	MPVR41220	N/A	BLACK COVER PW-H101 INF.PP	1,00			--
0011	MPVR40519	N/A	TANK PW-H35 PEHD BK.	1,00			--
0012	PVVR11806	N/A	DISCHARGE CAP FLL	2,00			--
0013	MPVR41257	N/A	BOX COVER PW-H Plus ABS BK.	1,00			--
0014	MPVR41269	N/A	CONTROL BOX PW-H101/61 VALUE ABS	1,00			--
0015	GUGO25527	N/A	O-RING D. 14 X 3 NBR 70SH	2,00			--
0016	MPVR23482	N/A	TAIL PIECE TEC. TUV	1,00			--
0018	MPVR41903	N/A	THICKNESS TERM.IM.PA66	1,00			--
0019	LAFN46067	N/A	SUPPORT L.60 P176	2,00			--
0020	MPVR40542	N/A	ANT. PANEL PW-H35 ABS BK.	1,00			--
0021	LAFN40922	N/A	JUNCTION BOARD PW-H35 D.14 ZC.	1,00			--
0022	MPVR49057	N/A	BLACK KNOB P176-M.RACE PA6	2,00			--
0023	MPVR40735	N/A	HUB CAP D.50 G-48/IPC RD.	4,00			--
0024	FSVR62795	N/A	PLATE DI FISSAGGIO RPD0074	2,00			--
0024	MPVR41249	N/A	RED COVER PW-H61 SUP. PP RD.	1,00			--
0025	MPVR40485	N/A	RUBBER PW-H35 15-20BK.	1,00			--
0025	MPVR40534	N/A	PIN PW-H35 PP BK.	2,00			--
0026	MPVR41227	N/A	DOOR PW-H61 PPL NT.	1,00			--
0027	MPVR41225	N/A	DOOR PW-H61 PPL NERO	1,00			--
0028	MPVR41226	N/A	DOOR PW-H61 PPL NERO	1,00			--
0029	MPVR40532	N/A	DOOR PW-H35 PPL BK.INF.	1,00			--
0030	MPVR40533	N/A	TOOL HOLDER PW-H35 PP BK.	1,00			--
0031	MPVR45426	N/A	TANK CAP P176 PEHD	2,00			--
0032	LCLC40008	N/A	LANCE SF-IX/PU 900 +AR3-K +1/4F	1,00			--
0033	UGLN49987	N/A	NOZZLE LECH 1/4 15045	1,00			--
0034	IPIP40022	N/A	GRIP G 6000+AT.AR4-K +SW.M 2V.	1,00			--
0035	TBAP40312	N/A	H.P. HOSE 5/16 250B 15MT 2 IRV 150°	1,00			--
0036	ETET41549	N/A	LABEL PW-H101/61 INF.	1,00			--
0037	ETET41204	N/A	LABEL PW-H35.RUNNER IDR.Cp.F.	1,00			--
0038	GUGO11489	N/A	GASKET D.22X1,5	2,00			--
0039	MPVR20187	N/A	RING NUT M 39 X 3	2,00			--
0040	VTVT14480	N/A	SCREW TE M 8X80 ZINC. UNI	1,00			--
0041	MLML11917	N/A	SPRING D. 14.5 X24 X2.2	1,00			--
0042	MPVR40751	N/A	TRIGGER H28/4W	1,00			--
0043	LAFN40762	N/A	BRACKET PW-H50/4W BK.	1,00			--



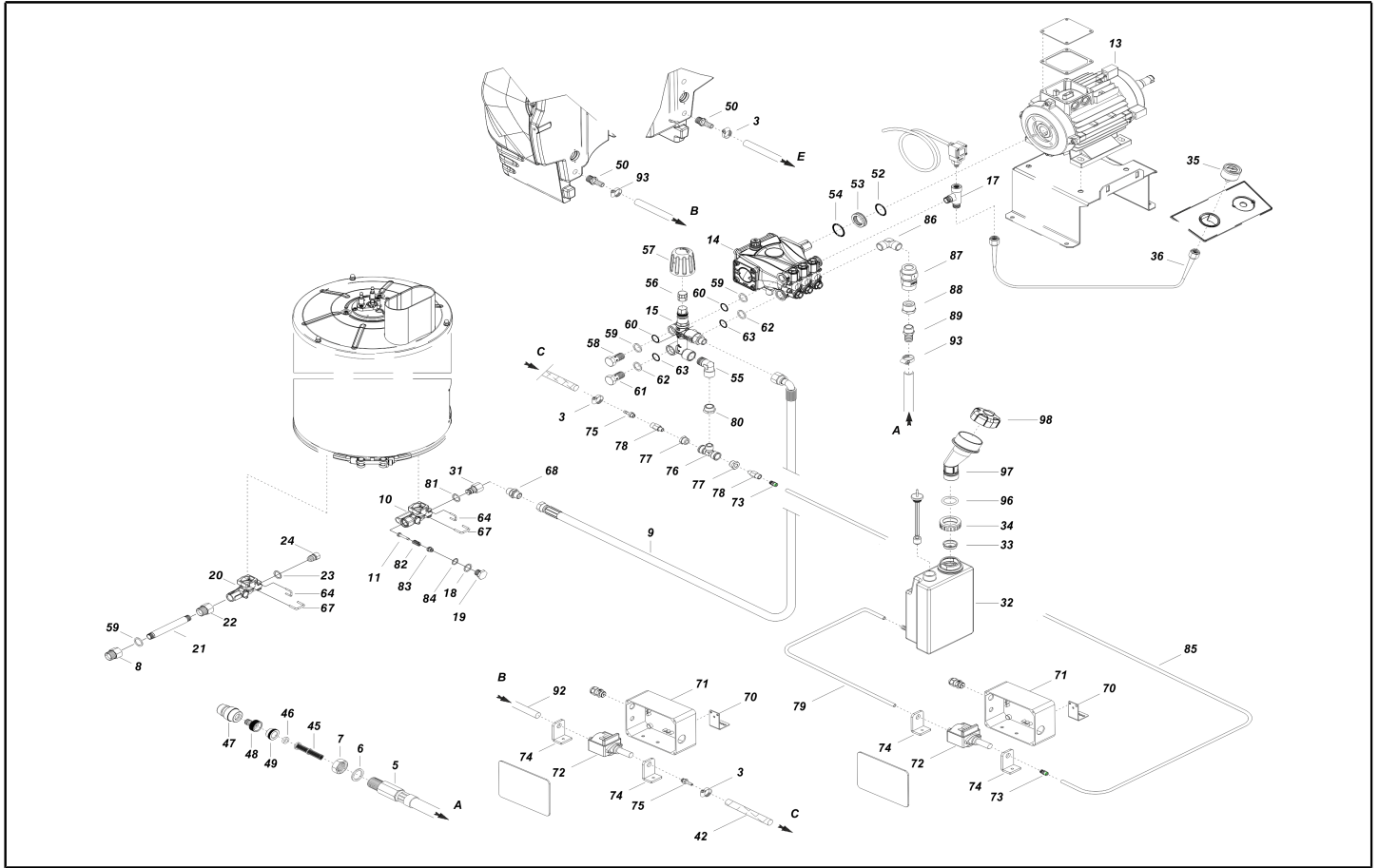
Ref. K	Part N.	Part N. 2	Description	Quantity	Validity		Price
					From	To	
0044	VTDD00492	N/A	NUT M 8 ZINC	1,00			--
0045	LAFN40609	N/A	FOOT PW-H35/4W	1,00			--
0047	MPVR41253	N/A	PROTECTION PW-H PLUS POLIC.	1,00			--
0049	RTRT40069	N/A	WHEEL D.250-D.25X 65 IPC/2 RED	2,00			--
0056	PVVR40273	N/A	ADAPTER VRF-2 RG.	1,00			--
0057	MPVR41241	N/A	BLACK KNOB VRF-2 IPC	1,00			--
0060	MPVR28554	N/A	CABLE FASTNER ELT	2,00			--
0060	VTVT13234	N/A	SCREW TCB-TC 3.5X19 NIK	4,00			--
0062	MPVR40701	N/A	HOSE SUPPORT PW-H35 PP BK.	1,00			--
0065	MEVR40294	N/A	CLIP HE.TYTON	2,00		30/06/2023	--
0066	MEVR40326	N/A	CLIP D. 6.00 DB. BK	2,00	01/07/2023		--
0066	MEVR40027	N/A	CLIP D. 6.35 DB.	1,00		30/06/2023	--
0070	LAFN40746	N/A	SUPPORT BRACKET PW-H100 ZC.	1,00			--
0071	GUGO40120	N/A	GASKET 248x 75 x2 POR300/60	1,00			--
0073	MPVR41229	N/A	PIN PW-H61 EST.PP BK	2,00			--
0074	MPVR41230	N/A	PIN PW-H61 INT.PP BK	2,00			--
0077	LAFN40921	N/A	PLATE PW-H35 D.14 ZC.	1,00			--
0080	ETET41545	N/A	LABEL PW-H61 VALUE SUP.	1,00			--
0083	GUGO01056	N/A	O-RING D. 18.72 X 2.62 NBR 70SH	1,00			--
0084	GUGO01197	N/A	O-RING D. 22.22 X 2.62 NBR 70SH	1,00			--
0085	GUGO40074	N/A	O-RING D. 37.47 X 5.34 NBR 70SH	2,00	01/06/2023		--
0086	MPVR40924	N/A	CAP PW-H35 PVC.BK	1,00			--



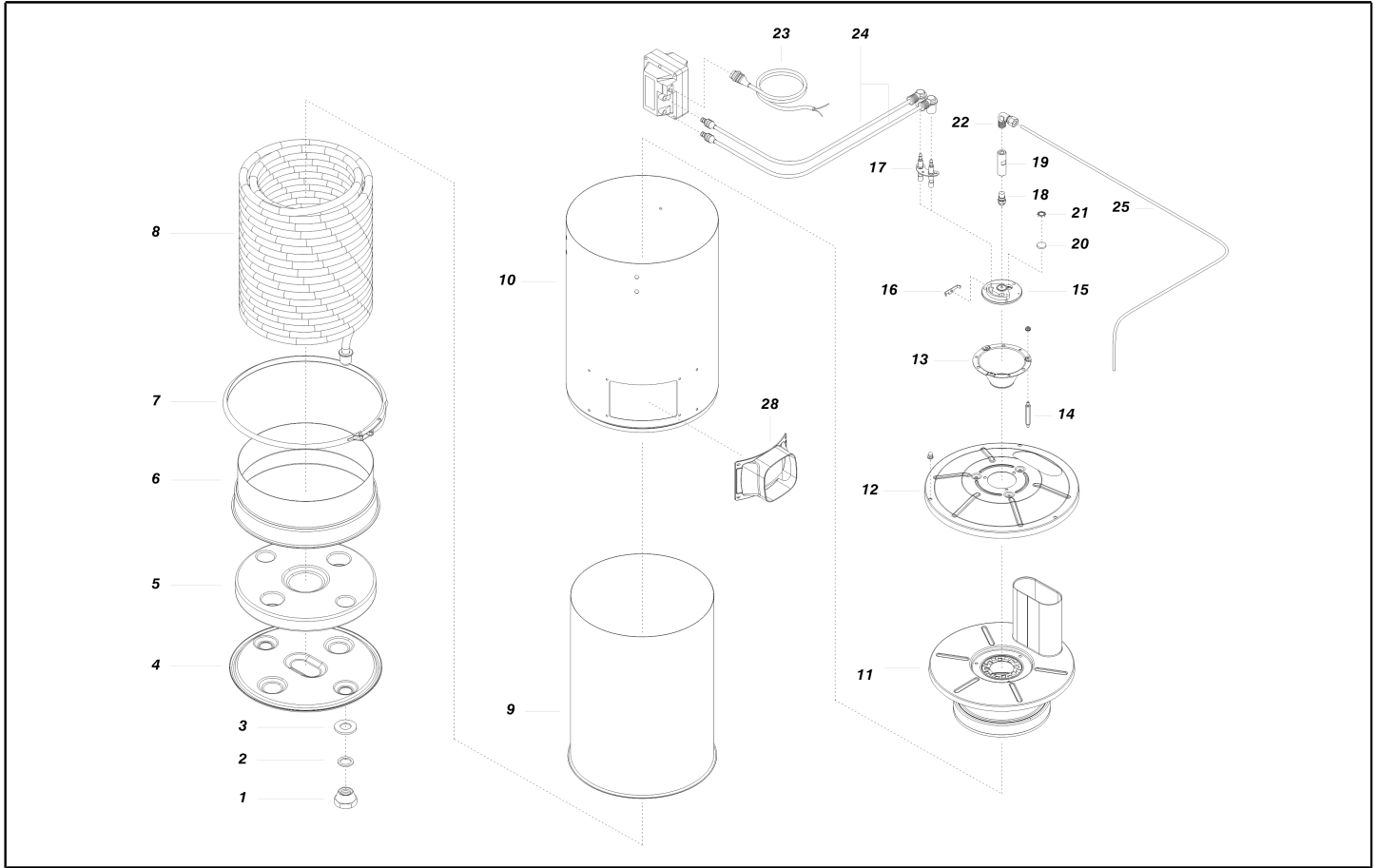
Ref. K	Part N.	Part N. 2	Description	Quantity	Validity		Price
					From	To	
0003	FSVR00427	N/A	CLAMP D. 12 CLIC 66-110	1,00			--
0003	FSVR00427	N/A	CLAMP D. 12 CLIC 66-110	1,00			--
0003	FSVR00427	N/A	CLAMP D. 12 CLIC 66-110	4,00			--
0004	MLML02623	N/A	SPRING IMT	1,00			--
0005	TBBP40178	N/A	L.P. HOSE L=890 1/2M 0°	1,00			--
0006	RCDS49875	N/A	RING NUT 1/2"X 6 CH.27 OT.	1,00			--
0007	VTRS00549	N/A	WASHER D.21,5X27X1,5 (1/2) RM	1,00			--
0008	S RCIN03753	N/A	MALE COUPLING M22-3/8 M-FA	1,00			--
0009	TBAP40167	N/A	H.P. HOSE 1/4 R1 L=685 0-90° 3/8 F	1,00			--
0010	MFVR40099	N/A	CONNECTOR PW-H28 AL. INL. 2V.	1,00			--
0011	RCDS40215	N/A	SMALL PISTON V.SC. P191/200 OT.	1,00			--
0013	MOTR40069	N/A	3PH MOTOR H35 HP 6L 400-50 4P 180E	1,00			--
0014	PPAP40039	N/A	PUMP RC 14.16 DX N	1,00			--
0015	VVAZ40079	N/A	VALVE VRF-2 AR-R PPr S/I.	1,00			--
0017	RCDS40177	N/A	CONNECTOR T 3/8M - 1/4 M/F OT. CN.	1,00			--
0018	GUGO25527	N/A	O-RING D. 14 X 3 NBR 70SH	1,00			--
0019	RCDS87757	N/A	VALVE TAP P191 OT.	1,00			--
0020	MFVR40101	N/A	CONNECTOR PW-H28 AL. OUT. 2V.+Fr.	1,00			--
0021	RCDS40337	N/A	CONNECTOR L=230 2X3/8M CN. ZC.	1,00			--
0022	RCVR40230	N/A	SLEEVE 3/8 M/F L=25 ZC.	1,00			--
0023	GUGO40047	N/A	O-RING D. 5.94 X 3.53 NBR 70SH	1,00	20/04/2023		--
0024	RCDS40354	N/A	CONNECTOR POZZETTO M14X1 CH.27	1,00	20/04/2023		--
0031	RCDS40213	N/A	CONNECTOR G3/8 F MV200 ZC	1,00			--
0032	MPVR40698	N/A	TANK KSM C/PE.	1,00			--
0033	MPVR18582	N/A	CAP D.22	1,00			--
0034	MPVR40739	N/A	TANK CAP KSM D.36.2	1,00			--
0035	MNMN93800	N/A	PRESSURE GAUGE 1/8 POST. 0-300 D.40 S/ST	1,00			--
0036	TBAP40113	N/A	POLYAMIDE HOSE L=420 1/4F GR.-1/8F MN.	1,00			--
0042	TBBP00051	N/A	DETERGENT HOSE D. 6-12	0,40			--
0045	FTAC30214	N/A	FILTER D.15X67	1,00			--
0046	GUGO37736	N/A	GASKET D. 10- 19 X 5 70SH	1,00			--
0047	RCVR29600	N/A	SOCKET PTC 3/4 F	1,00			--
0048	RCVR29602	N/A	CONNECTOR D. 1/2"-5/8" PTC	1,00			--
0049	RCVR37806	N/A	REDUCTION PTC 3/4-1/2 M/F	1,00			--
0050	RCVR40113	N/A	HOSE FITTING 1/8 M D. 5- 7 NIK	2,00			--
0051	MPVR20187	N/A	RING NUT M 39 X 3	1,00			--
0052	GUGO21339	N/A	O-RING D. 29.82 X 2.62 VIT 70SH	1,00			--
0053	RCDS25578	N/A	BUSHING IP VW141 OT.	1,00			--
0054	GUGO21337	N/A	O-RING D. 25.07 X 2.62 VIT 70SH	1,00			--
0055	RCVR00575	N/A	ELBOW 1/2" M/F A10	1,00			--
0058	RCDS40172	N/A	SCREW 3/8 VRF-2 OT 4F.	1,00			--
0059	VTRS00548	N/A	WASHER D.17,5X23X1,5 (3/8)RM	1,00			--
0059	VTRS00548	N/A	WASHER D.17,5X23X1,5 (3/8)RM	2,00			--
0060	GUGO03510	N/A	O-RING D. 12.37 X 2.62 NBR 70SH	2,00			--



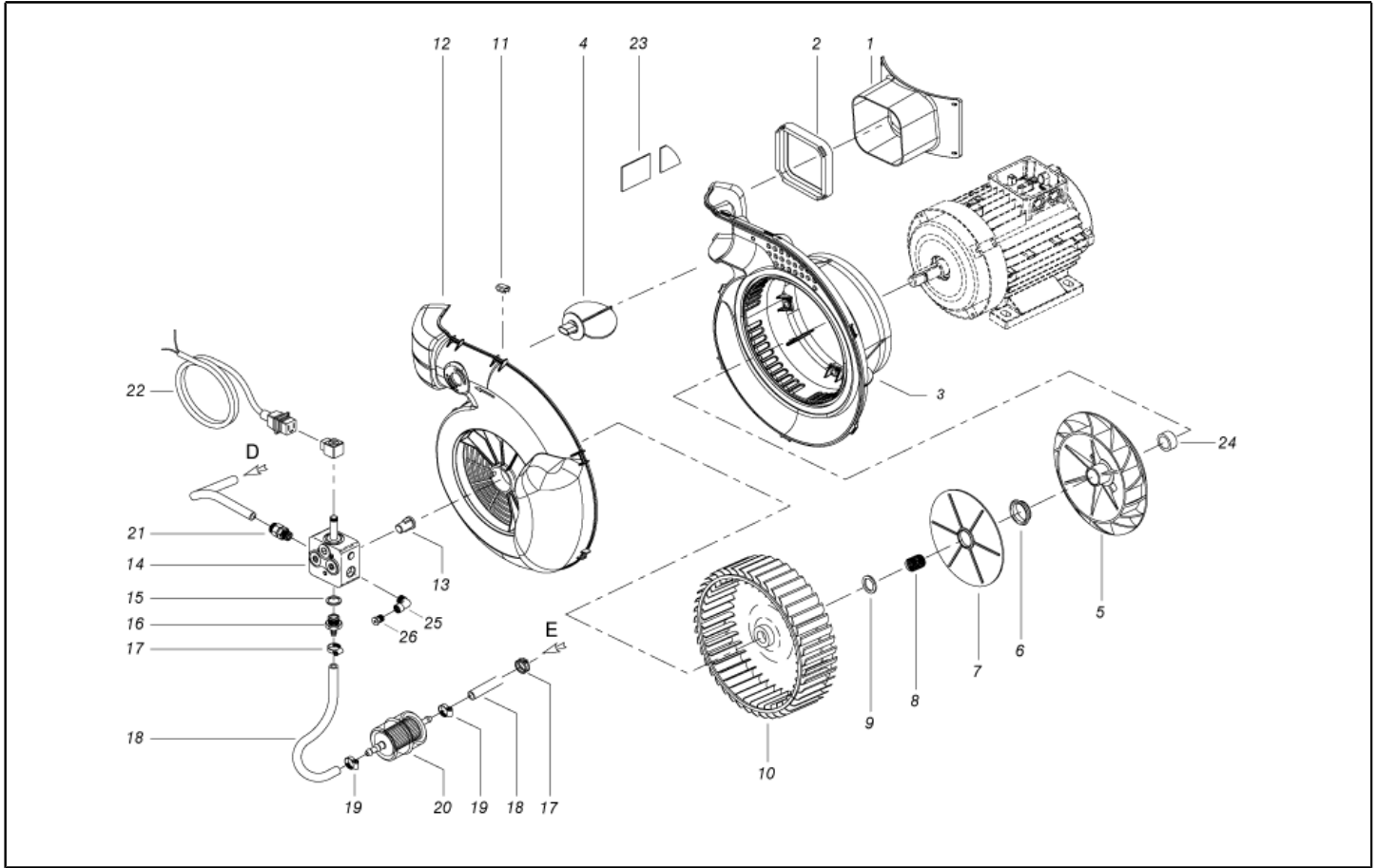
Ref. K	Part N.	Part N. 2	Description	Quantity	Validity		Price
					From	To	
0061	RCDS40171	N/A	SCREW G 1/2 VRF-2 OT. 2F.	1,00			--
0062	VTRS00549	N/A	WASHER D.21,5X27X1.5 (1/2) RM	1,00			--
0063	GUGO01048	N/A	O-RING D. 15.88 X 2.62 NBR 70SH	2,00			--
0064	LAFN37625	N/A	PLUG "U" T-STOP PRM INX	2,00			--
0067	LAFN87846	N/A	PLUG "U" P191 INX	2,00			--
0068	RCDS00610	N/A	NIPPLE 3/8 - 3/8 SV	1,00			--
0070	LAFN41352	N/A	SUPPORT DET.PUMP. PW-H101 ZN	1,00			--
0070	LAFN41352	N/A	SUPPORT DET.PUMP. PW-H101 ZN	1,00			--
0071	MEVR40323	N/A	CONTROL BOX GER. 150X110X75 H61/101	1,00			--
0071	MEVR40323	N/A	CONTROL BOX GER. 150X110X75 H61/101	1,00			--
0072	PPEL40002	N/A	PUMP BY-P.230V E 505/OT 1/8"F	1,00			--
0073	RCVR14043	N/A	CONNECTOR DTT 1/8"M C1 D. 6/ 4 NIK	1,00			--
0073	RCVR14043	N/A	CONNECTOR DTT 1/8"M C1 D. 6/ 4 NIK	1,00			--
0074	ABGO00010	N/A	SUPPORT ANTIVIBRANTE POMPA L15-20	2,00			--
0075	RCDS21900	N/A	HOSE FITTING 1/8 M D. 3- 7	1,00			--
0075	RCDS21900	N/A	HOSE FITTING 1/8 M D. 3- 7	1,00			--
0076	RCVR40121	N/A	CONNECTOR TEE 3/8 F/M/F A12	1,00			--
0077	RCVR03760	N/A	REDUCTION 3/8-1/8 M/F	2,00			--
0078	VVSF43615	N/A	VALVE 1/8M-F OT. VIT. 250°C	2,00			--
0079	TBBP85832	N/A	L.P. HOSE D. 5- 8	0,33			--
0080	RCVR02605	N/A	REDUCTION 1/2-3/8 M/F	1,00			--
0081	GUGO28927	N/A	O-RING D. 9.13 X 2.62 NBR 70SH	1,00			--
0082	MLML40035	N/A	SPRING D. 8.8X21 X2.5 INX	1,00			--
0083	RCDS40263	N/A	BUSHING V.SC. P191/200 2V. OT.	1,00			--
0084	GUGO37529	N/A	O-RING D. 5.23 X 2.62 NBR 70SH	1,00			--
0085	TBBP11756	N/A	L.P. HOSE D. 4- 6 RILSAN NTR	0,26			--
0086	RCVR40153	N/A	ELBOW 3/4"-1/2" M OT.	1,00			--
0087	VVSF40026	N/A	VALVE 3/4 F/F CK100 220bar	1,00			--
0088	RCVR40042	N/A	REDUCTION 3/4-1/2 M/F NIK	1,00			--
0089	RCVR73008	N/A	HOSE FITTING 1/2 D.17 454/A	1,00			--
0092	TBBP93804	N/A	L.P. HOSE D. 6- 9	0,35			--
0093	FSVR11957	N/A	CLAMP D. 9.5-12 CLIC	1,00			--
0093	FSVR11957	N/A	CLAMP D. 9.5-12 CLIC	1,00			--
0096	GUGO89386	N/A	O-RING D. 30 X 5 NBR 70SH	1,00			--
0097	MPVR41240	N/A	MANIFOLD A.CLCL PW-H61 PP NT.	1,00			--
0098	MPVR40187	N/A	TANK CAP P215 PEHD C/F.	1,00			--



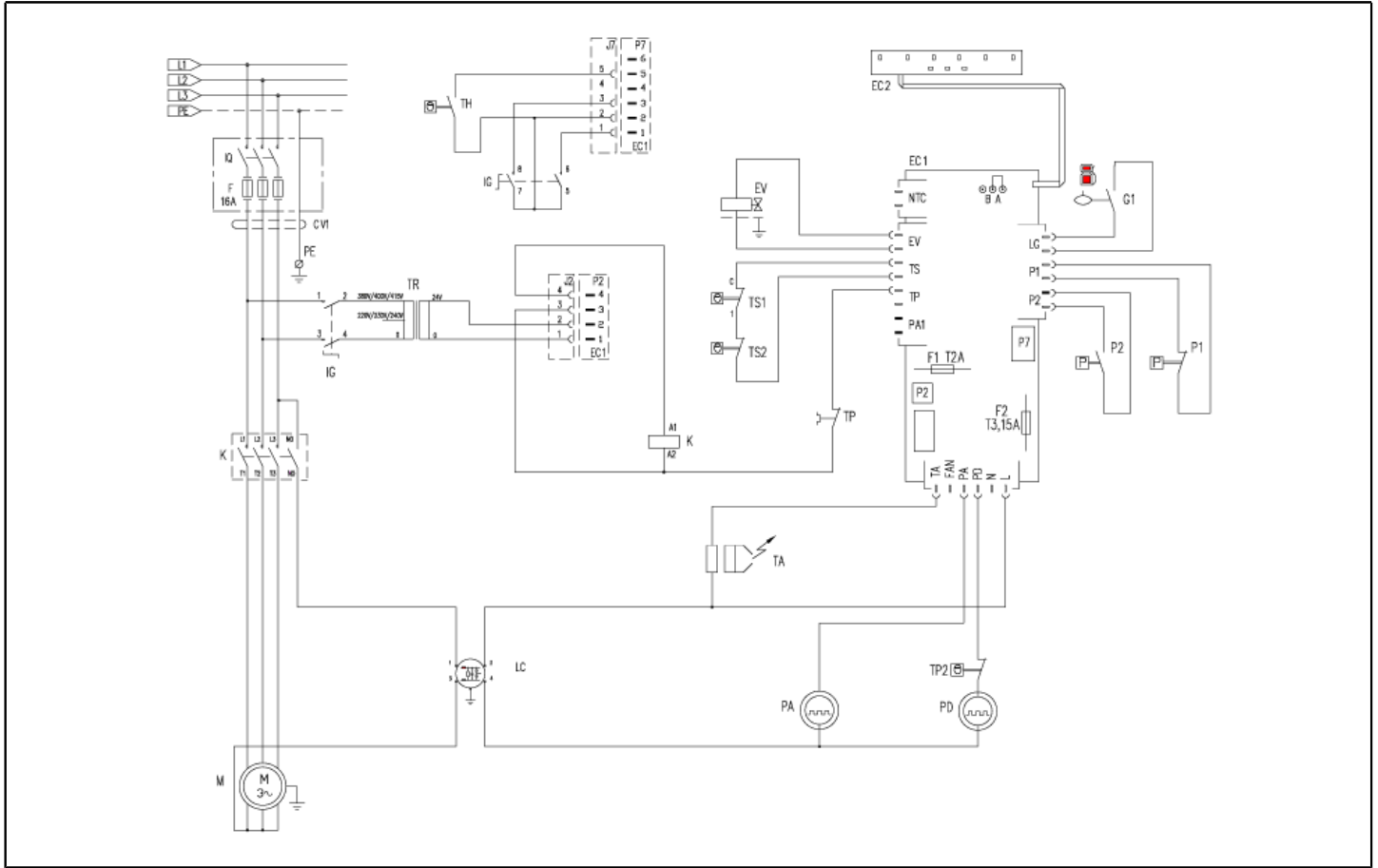
Ref. Part N.	Part N. 2	Description	Reference	Price
KTRI40257		KIT P 13- 9 PW-H35/PM	0008 0008 0008 0008 0008	--



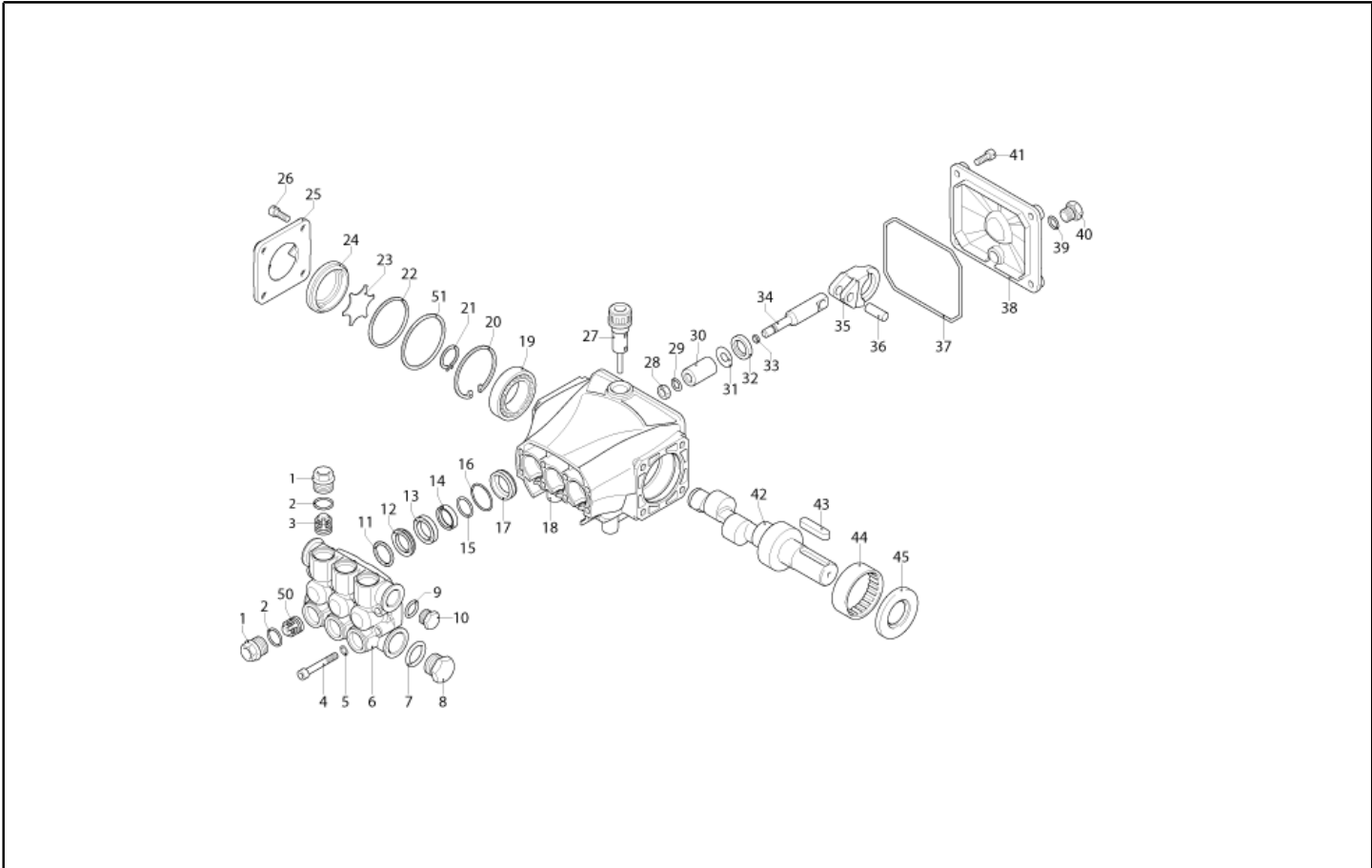
Ref. K	Part N.	Part N. 2	Description	Quantity	Validity		Price
					From	To	
0001	RCDS40208	N/A	RING NUT M 27 X 1,5 ZC	2,00			--
0002	GUGO40059	N/A	O-RING D. 16 X 4 VIT 70SH	2,00			--
0003	GUVR21021	N/A	ANTI-EXTR.RING D. 21 X17 TEF.	2,00			--
0004	LAFN44149	N/A	BOILER BOTTOM P176	1,00			--
0005	ITTE44175	N/A	BOTTOM P176 C.TE	1,00			--
0006	LAFN44151	N/A	BAND P176 INX	1,00			--
0007	LAFN40037	N/A	RING D.342 P176 ZN 2V.CPL.	1,00			--
0008	LAGR40034	N/A	DOUBLE COIL M27X1.5 H61 30MT. SP.2.35	1,00			--
0009	LASL40101	N/A	INT. CYLINDER PM INX	1,00			--
0010	LAFN41354	N/A	EXT. CYLINDER PM-H61 INX	1,00			--
0011	LAFN40269	N/A	BOILER COVER SI PM INX	1,00			--
0012	LAFN40270	N/A	BOILER COVER SE PM INX	1,00			--
0013	LAFN44244	N/A	BAFFLE P176 30M INX	1,00			--
0014	LAFN40271	N/A	PIN CH.10 X 67.7 M5M/M5M PM	3,00			--
0015	MFVR18226	N/A	ELECTR.HOLDER FUT 3°V	1,00			--
0016	LAFN07641	N/A	PLATE INX	1,00			--
0017	MECA12525	N/A	ELECTRODE FUT	1,00			--
0018	UGBR22576	N/A	BURNER NOZZLE 1.35 60 S	1,00			--
0019	RCDS07642	N/A	NOZZLE HOLDER FUT	1,00			--
0020	MPVR18228	N/A	OIL WARN-LIGHT D.17 X3	1,00			--
0021	VTAE22633	N/A	SEEGER 0.4 X18,30X10,5	1,00			--
0022	RCVR40228	N/A	CONNECTOR L 1/8" M D. 4 +OR NBR N	1,00			--
0023	MECB34463	N/A	CABLE BT L=800 SP. FD	1,00			--
0024	MECV35335	N/A	CABLE A.T. 9,8-23KOHM/M L= 500P	2,00			--
0025	TBBP00123	N/A	TUBE RILSAN D. 2- 4 NT.	0,59			--



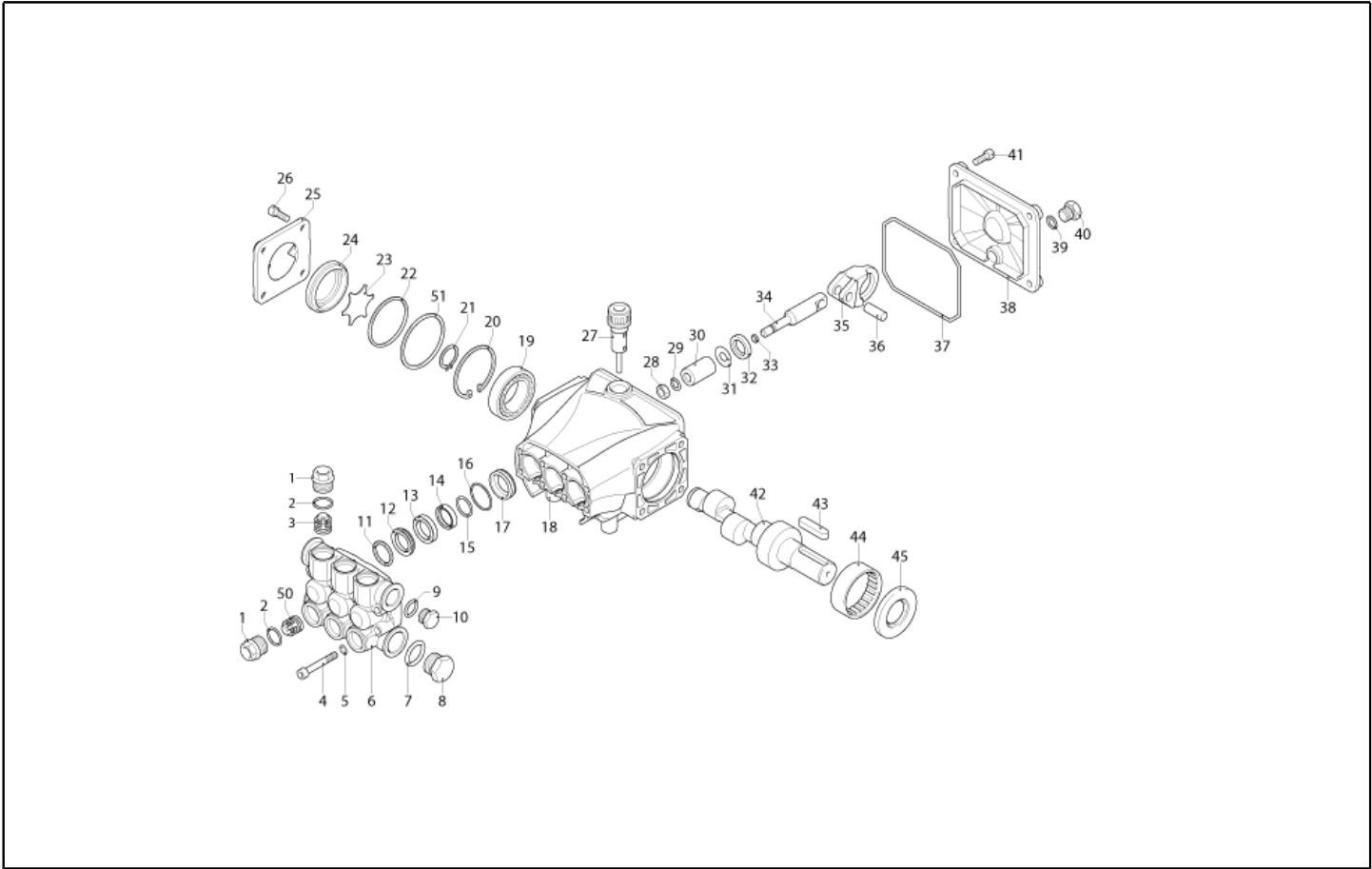
Ref. K	Part N.	Part N. 2	Description	Quantity	Validity		Price
					From	To	
0001	MPVR88426	N/A	CONVEYOR P176 PA6 BK.	1,00			--
0002	GUGO88425	N/A	GASKET P245 EPDM	1,00			--
0003	MPVR45488	N/A	SCROLL BODY P176 PP	1,00			--
0004	MPVR45445	N/A	BUTTERFLY VALVE P176 PP	1,00			--
0005	VEVR45443	N/A	MOTOR FAN P176 H 100	1,00			--
0006	LAFN45783	N/A	BUSHING D. 30 P176	1,00			--
0007	MPVR45444	N/A	SEPARATOR P176 ABS	1,00			--
0008	VTVR45002	N/A	BUSHING D. 17-19X19 CPS.	1,00			--
0009	VTAE33647	N/A	CIRCLIP D. 19 UNI 7435	1,00			--
0010	VEVR88781	N/A	IMPELLER P176 D.240 43P. 2V. PA6	1,00			--
0011	VTVR20127	N/A	CLIP KSM	8,00			--
0012	MPVR45489	N/A	VENTILATOR COV. P176 ABS	1,00			--
0013	FGGT36513	N/A	JOINT HP 0.25 AACO	1,00			--
0014	PPGS40004	N/A	FUEL PUMP DNF BFA 01R5L1	1,00			--
0015	VTRS04931	N/A	WASHER COPPER D.13X19X1.5	1,00			--
0016	RCDS00626	N/A	HOSE FITTING 1/4 M D. 5- 7	1,00			--
0018	TBCO06945	N/A	L.P. HOSE D. 6-12 10BAR C.PRESS	0,32			--
0018	TBCO06945	N/A	L.P. HOSE D. 6-12 10BAR C.PRESS	0,17			--
0019	FSVR11197	N/A	CLAMP D.12.9-13.6	2,00			--
0020	FTCO10912	N/A	FILTER FB 13/T NYL.	1,00			--
0021	RCVR40229	N/A	CONNECTOR DTT 1/8" M D. 4 +OR NBR N	1,00			--
0022	MECB46130	N/A	CABLE DLT L=1100	1,00			--
0025	RCVR34780	N/A	ELBOW 1/8" M/F A10	1,00			--
0026	RCVR89230	N/A	CAP G 1/8 M C/O-RING.	1,00			--



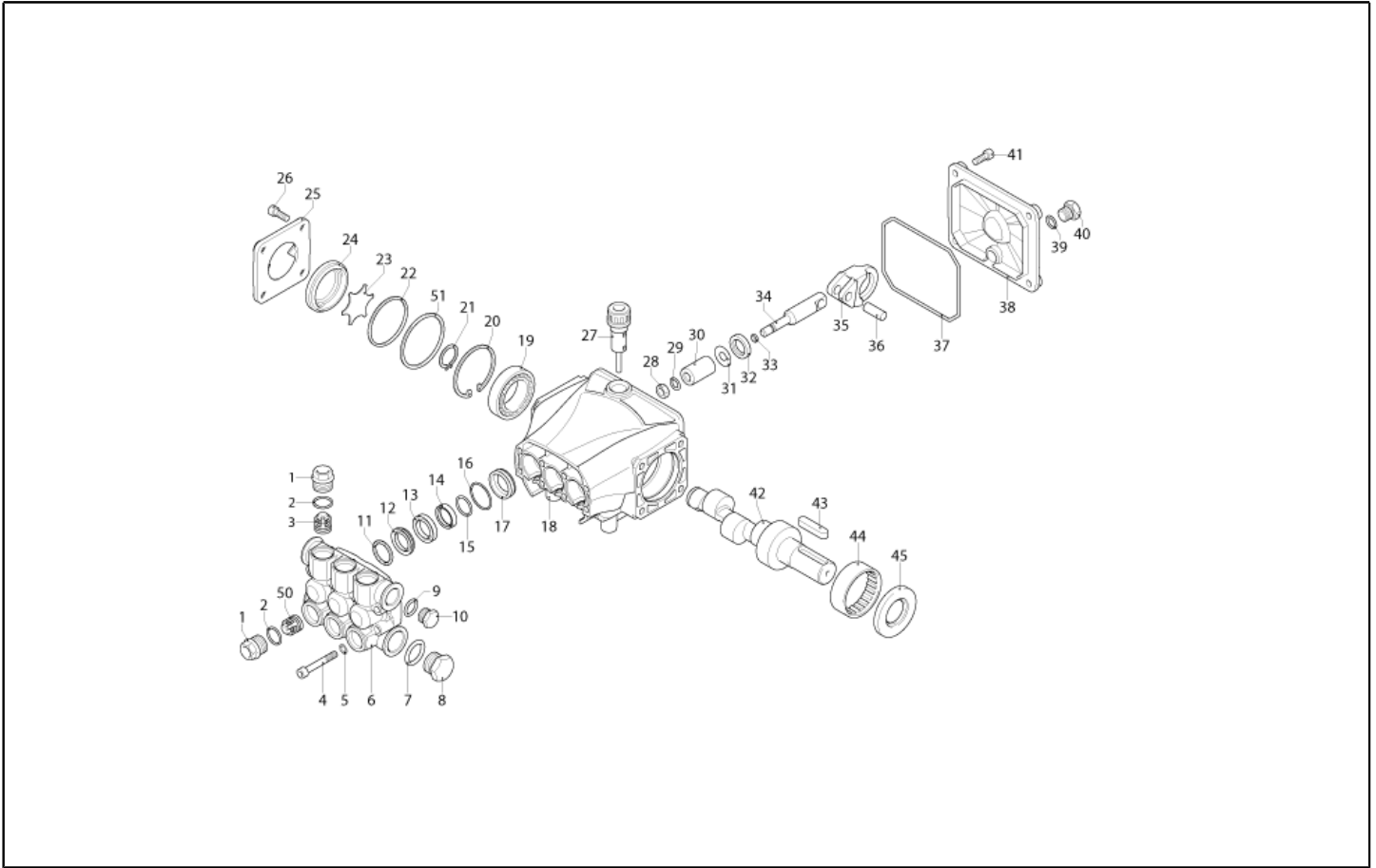
Ref. K	Part N.	Part N. 2	Description	Quantity	Validity		Price
					From	To	
K	METT40010	N/A	CONTACTOR SIE 3RT 2017-1AB01 24V	1,00			--
EV	MEBE43704	N/A	COIL DNF 24-50	1,00			--
G1	MECI40006	N/A	SENSOR LEVEL S1 PML.XD.FPJ FST.	1,00			--
IG	MECI40065	N/A	COMMUTAT.SWITCH BRM 0-1/4 BIP.12A V493	1,00			--
LC	MECE46138	N/A	FILTER LC RFI 250V 10A	1,00			--
P1	MEPF40067	N/A	PRESSURE SWITCH PS2 G1/8M 40BAR	1,00			--
P2	MEPF40066	N/A	PRESSURE SWITCH PS2 G1/4M 40BAR	1,00			--
TA	METR88630	N/A	TRANSFORMER 23/240V-5/60HZ 2X26KV TR.	1,00			--
TH	METK40028	N/A	THERMOSTAT 40-110°C NT-133 IPC/2	1,00		19/04/2023	--
TH	METK40027	N/A	THERMOSTAT 30-110°C CAEM TU/V.ST	1,00	20/04/2023		--
TR	METR40018	N/A	TRANSFORMER 25VA 230-400/24 5/60HZ PM	1,00			--
CV1	MECB10518	N/A	CABLE H07 RNF 4X1.5 L=6.500	1,00			--
CV1	MEVR46573	N/A	PLUG WMX 16A 3P+N+T INV.F IP44	1,00			--
EC1	MECE40108	N/A	PCB PW-H VAL. TSI+CO+ EXP_1	1,00			--
EC1	MECE40030	N/A	CABLE CLAMPING SHUNT 2.54	1,00			--
EC1	MECE40109	N/A	PCB LED PW H GR. FLT.	1,00			--
TS1	METK34839	N/A	THERMOSTAT 60°C TU V ST T.F. C.1.5	1,00			--
TS2	METK43604	N/A	KLIKSON UP62 110°C	1,00			--
TS2	METK40021	N/A	THERMOSTAT 110°C TK24-T02 16A 250V	1,00			--



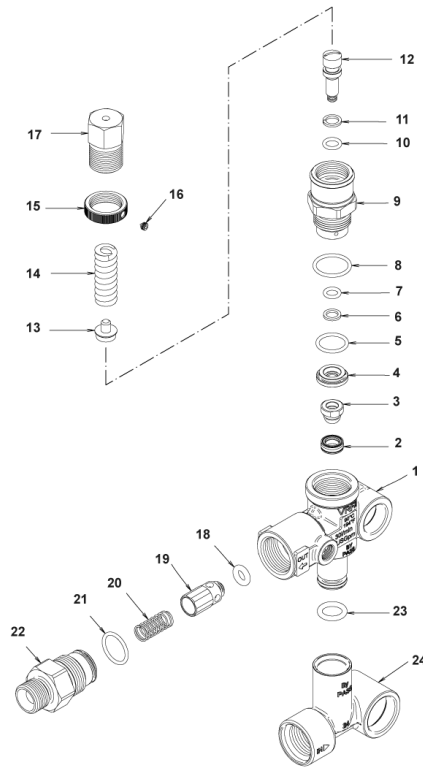
Ref. K	Part N.	Part N. 2	Description	Quantity	Validity		Price
					From	To	
0001	PVVR40120	N/A	CAP AR RC	6,00			--
0002	GUGO03505	N/A	O-RING D. 15.6 X 1.78 NBR 70SH	6,00			--
0003	S VVAM40002	N/A	VALVE UNIT RC	6,00		31/07/2012	--
0003	S VVAM40002	N/A	VALVE UNIT RC	3,00	01/08/2012		--
0004	VTVT06236	N/A	SCREW TCCE UNI 5931 6X40 ZB	8,00			--
0005	VTRS01077	N/A	WASHER D. 6.4X10X0,7	8,00			--
0006	MFVR40019	N/A	HEAD AR RC OT.	1,00			--
0007	GUGO19245	N/A	O-RING D. 17.5 X 2 NBR 70SH	1,00			--
0008	PVVR40121	N/A	CAP 1/2 M RC	1,00			--
0009	GUGO09720	N/A	O-RING D. 14 X 1.78 NBR 70SH	1,00			--
0010	PVVR40099	N/A	CAP 3/8 M HRM	1,00			--
0011	S PVVR40122	N/A	HEAD RING D. 18 RC	3,00			--
0012	S GUVR40035	N/A	PACKING D. 18 RC H.P.	3,00			--
0013	PVVR40123	N/A	INTERMED. RING D. 18 RC	3,00			--
0014	S GUVR40036	N/A	PACKING D. 18 RC L.P.	3,00			--
0015	S GUVR40037	N/A	ANTI-EXTR.RING D.21	3,00			--
0016	S GUGO19290	N/A	O-RING D. 23.52 X 1.78 NBR 70SH	3,00		31/03/2014	--
0016	S GUGO08182	N/A	O-RING D. 21.91 X 1.78 NBR 70SH	3,00	01/04/2014		--
0017	PVVR40124	N/A	PACKING RETAIN. D. 18 RC	3,00			--
0018	MFVR40020	N/A	PUMP CRANKCASE AR RC	1,00		31/03/2014	--
0018	MFVR40027	N/A	PUMP CRANKCASE AR RCS	1,00	01/04/2014		--
0019	CUVR28336	N/A	BALL BEARING 6304	1,00			--
0020	VTAE09661	N/A	CIRCLIP D. 52 UNI 7437	1,00			--
0021	VTAE06193	N/A	CIRCLIP D. 20 UNI 7435	1,00			--
0022	GUGO02561	N/A	O-RING D. 47.3 X 2.62 NBR 70SH	1,00			--
0023	PVVR40125	N/A	DISC RC	1,00		31/03/2016	--
0023	PVVR40472	N/A	OIL INDICATOR RC CPL.	1,00	01/04/2016		--
0024	PVVR40126	N/A	OIL INDICATOR RC	1,00		31/03/2016	--
0025	MFVR40021	N/A	CRANKASE COVER AR RC LT.	1,00			--
0026	VTVT01531	N/A	SCREW TE 6X 16 UNI 5739	4,00			--
0027	PVVR19231	N/A	OIL CAP XTS	1,00		31/03/2014	--
0027	PVVR40436	N/A	OIL CAP RC	1,00	01/04/2014		--
0028	VTDD00483	N/A	NUT M 8 ZIN UNI 5588	3,00			--
0029	VTRS19394	N/A	WASHER D. 8X13X0.5	3,00			--
0030	S PIVR40005	N/A	PISTON D.18X30 RC	3,00			--
0031	PVVR19233	N/A	DISC XTS	3,00			--
0032	S GUGO09690	N/A	OIL SEAL 15X 24X 5 NBR70	3,00			--
0033	GUGO08071	N/A	O-RING D. 4.48 X 1.78 NBR 70SH	3,00			--
0034	PVVR40127	N/A	PISTON GUIDE RC	3,00			--
0035	BLVR40001	N/A	CONNECTING ROD RC	3,00			--
0036	PVVR40128	N/A	GUDGEON D. 9X23 RC	3,00			--
0037	GUGO18695	N/A	O-RING D. 101.27 X 2.62 NBR 70SH	1,00			--
0038	MFVR40022	N/A	CRANKASE COVER AR RC	1,00			--
0039	GUGO01036	N/A	O-RING D. 10.82 X 1.78 NBR 70SH	1,00			--



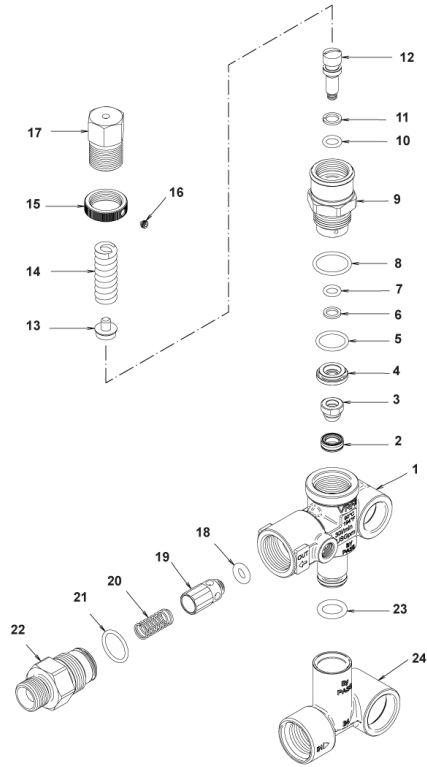
Ref. K	Part N.	Part N. 2	Description	Quantity	Validity		Price
					From	To	
0040	PVVR40129	N/A	CAP 1/4 M RC	1,00			--
0041	VTVT09913	N/A	SCREW TCEI 6X16 UNI5931	4,00			--
0042	ALMO40006	N/A	SHAFT AR RC 14LT VRS. N	1,00			--
0043	VTVR41531	N/A	KEY 8X 7X35 UNI 6604A	1,00			--
0044	CUVR23636	N/A	ROLLER BEARING HK 4516	1,00			--
0045	S GUGO00999	N/A	OIL SEAL 25X 52X 7 NBR70	1,00			--
0050	S VVAM40007	N/A	VALVE UNIT RC ASP. BK	3,00	01/08/2012		--
0051	PVVR40437	N/A	RING D. 51.8 X0.5	1,00	01/04/2014		--



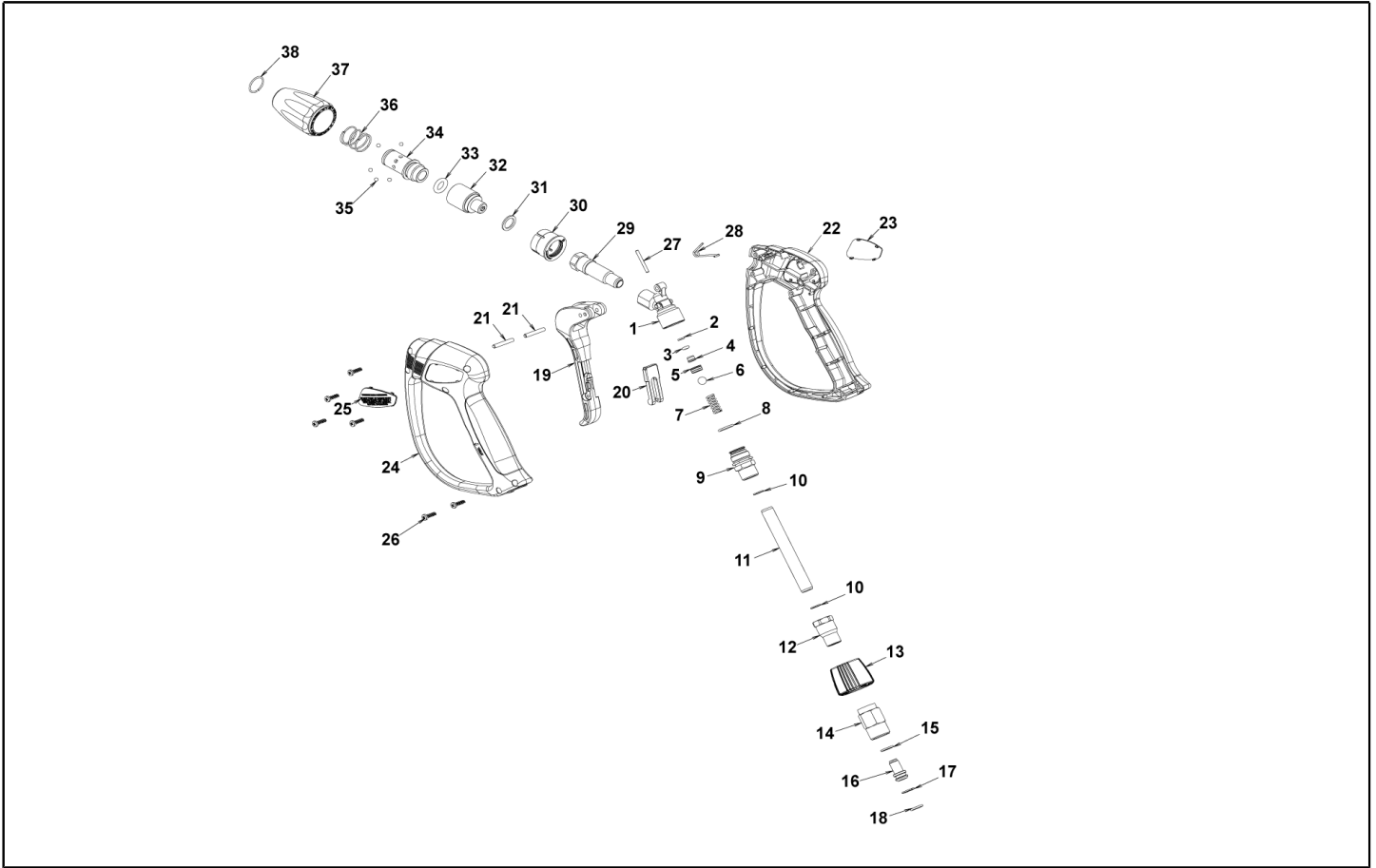
Ref. Part N.	Part N. 2	Description	Reference	Price
KTRI40092		KIT P 15-2186 RC	0003	--
KTRI40093		KIT P 15-42917 RC	0030	--
KTRI40094		KIT P 15-42919 D.18 RC	0012 0014 0015 0016	--
KTRI40095		KIT P 15-42903 D.18 RC	0011	--
KTRI40096		KIT P 15-42918 RC	0032 0045	--
KTRI40207		KIT P 15-42914 RC 3+3 BL./WH.	0003 0050	--



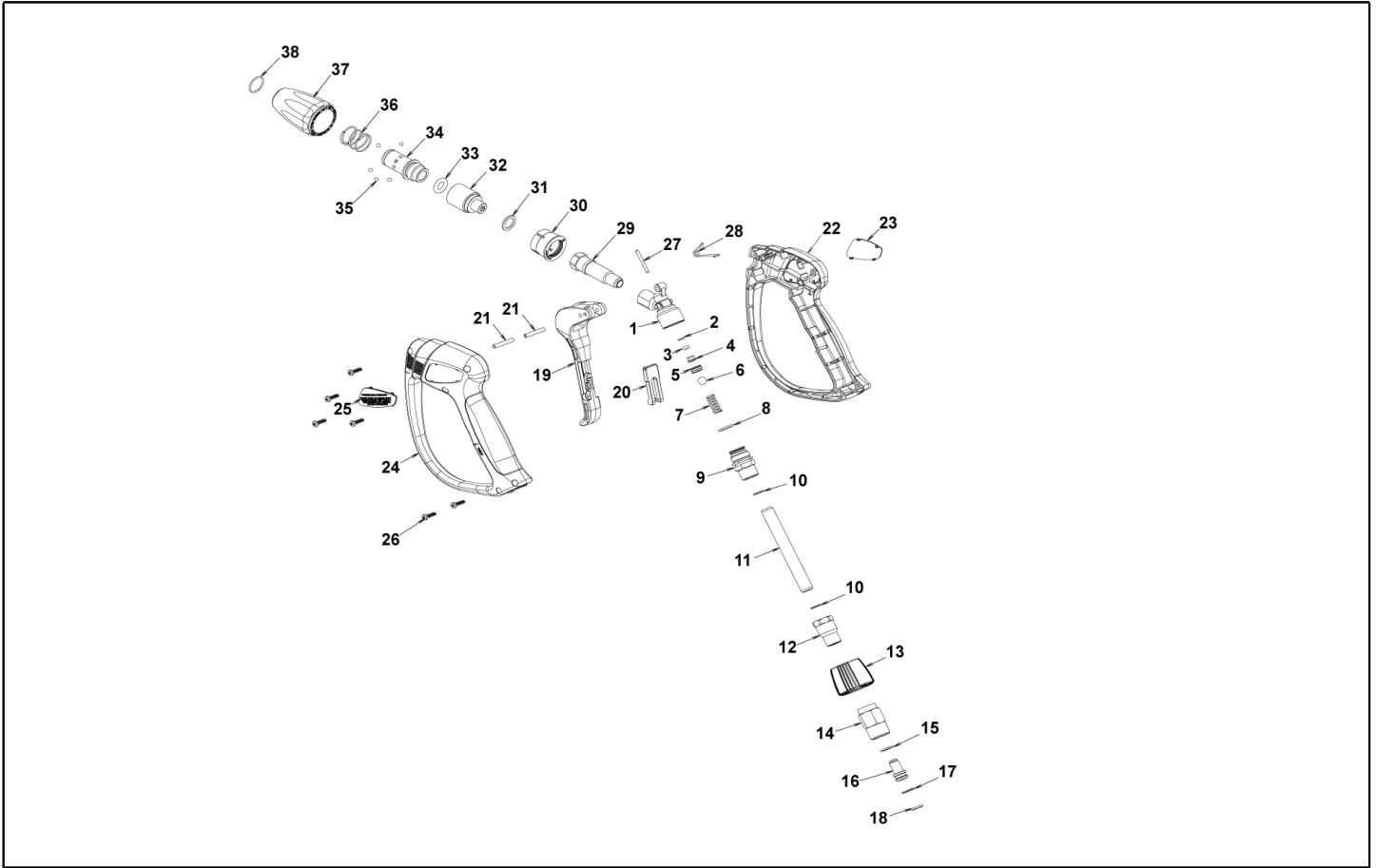
Ref. K	Part N.	Part N. 2	Description	Quantity	Validity		Price
					From	To	
0001	PVVR40375	N/A	VALVE BODY VRF2 +G1/8 F	1,00			--
0002	S PVVR40363	N/A	VALVE SEAT MV124 +OR	1,00			--
0003	S PVVR40364	N/A	COUPLING MV124	1,00			--
0004	S PVVR40365	N/A	SPACER MV124	1,00			--
0005	S GUGO12322	N/A	O-RING D. 14 X 1.78 NBR 90SH	1,00			--
0006	S GUVR40072	N/A	ANTI-EXTR.RING D. 6.5X 9.4	1,00			--
0007	S GUGO83861	N/A	O-RING D. 6.07 X 1.78 NBR 90SH	1,00			--
0008	S GUGO24913	N/A	O-RING D. 17.17 X 1.78 NBR 90SH	1,00			--
0009	S PVVR40366	N/A	CONNECTOR VRF2 D.10	1,00			--
0010	S GUGO03500	N/A	O-RING D. 6.75 X 1.78 NBR 70SH	1,00			--
0011	S GUVR40073	N/A	ANTI-EXTR.RING D. 7.1X10 X1.2 TBT	1,00			--
0012	S PVVR40367	N/A	SMALL PISTON D.10 VRF2	1,00			--
0013	PVVR40368	N/A	SPRING PLATE MV124 25B	1,00			--
0014	MLML40027	N/A	SPRING D. 3.0/6.0 X38.85	1,00			--
0015	PVVR40369	N/A	RING NUT MV167.09	1,00			--
0016	VTVT89696	N/A	SCREW EI-ST 4X 4 UNI5927 ZC	1,00			--
0017	PVVR40370	N/A	CAP VRF2 M18X1	1,00			--
0018	S GUGO46053	N/A	O-RING D. 6 X 3 NBR 90SH	1,00			--
0019	S PVVR40349	N/A	COUPLING VRT3	1,00			--
0020	S MLML40026	N/A	SPRING VRT3	1,00			--
0021	S GUGO12321	N/A	O-RING D. 15.6 X 1.78 NBR 90SH	1,00			--
0022	PVVR40525	N/A	CONNECTOR VRT3 G 3/8M	1,00			--
0023	GUGO11225	N/A	O-RING D. 10.78 X 2.62 NBR 70SH	1,00			--
0024	PVVR40373	N/A	CONNECTOR VRF2.24	1,00			--



Ref. Part N.	Part N. 2	Description	Reference	Price
KTRI40236		KIT P 14-103 VRF2	0002 0003 0004 0005 0006 0007 0008 0009 0010 0011 0012 0018 0019 0020 0021	--
KTRI40237		KIT P 14-104 SET GUARNIZIONI	0002 0003 0005 0006 0007 0008 0010 0011 0018 0021	--



Ref. K	Part N.	Part N. 2	Description	Quantity	Validity		Price
					From	To	
0001	PVVR40381	N/A	GUN BODY G 5100 G1/4F	1,00			--
0002	S GUVR40074	N/A	ANTI-EXTR.RING D. 3 X 7.4X1.3	1,00			--
0003	S GUGO21835	N/A	O-RING D. 2.84 X 2.62 VIT. 80SH	1,00			--
0004	PVVR40382	N/A	PISTON GUIDE G 5100	1,00			--
0005	S PVVR40563	N/A	BALL SEAT AL36 G6000 + OR	1,00			--
0006	S SFVR40004	N/A	BALL D. 5/16" ALL.GR16	1,00			--
0007	MLML40047	N/A	SPRING D. 9.4 x23.5x1.6 G6000	1,00			--
0008	GUGO12322	N/A	O-RING D. 14 X 1.78 NBR 90SH	1,00			--
0009	PVVR40383	N/A	CONNECTOR COLL.G5100 1/4F	1,00			--
0010	VTRS40017	N/A	WASHER D. 8,2X11,4X1,00	2,00			--
0011	PVVR40384	N/A	TUBE G 1/4" L.105	1,00			--
0012	RCIN40022	N/A	CONNECTOR SWIV G5100 1/4F	1,00			--
0013	MPVR40967	N/A	RING NUT G 6000 SW. GR.	1,00			--
0014	RCIN40021	N/A	JOINT SWIV 5100 M22	1,00			--
0015	S GUVR40075	N/A	ANTI-EXTR.RING D. 10 X14X1.5	1,00			--
0016	PVVR40386	N/A	SCREW SW. G 5100	1,00			--
0017	S GUVR40076	N/A	ANTI-EXTR.RING D. 11.2X14X1.2	1,00			--
0018	S GUGO15295	N/A	O-RING D. 10.82 X 1.78 VIT 75SH	1,00			--
0019	MPVR40820	N/A	TRIGGER G 6000-SW	1,00			--
0020	MPVR40821	N/A	SAFETY-DEVICE G 6000-SW	1,00			--
0021	VTVR40047	N/A	PLUG D. 4X29	2,00			--
0022	MPVR40822	N/A	SHELL G 6000-SW DX	1,00			--
0023	MPVR40968	N/A	PLATE G 6000/2 GR.DX	1,00			--
0024	MPVR40824	N/A	SHELL G 6000-SW SX	1,00			--
0025	MPVR40825	N/A	PLATE G 6000 GR.SX	1,00			--
0026	VTVT40043	N/A	SCREW AF 4X 14 HILO ZN.N	6,00			--
0027	PVVR40564	N/A	SMALL PISTON G 6000 AL36 SP.	1,00			--
0028	MLML40029	N/A	SPRING G 5100	1,00			--
0029	PVVR40521	N/A	CONNECTOR AL55 G1/4F	1,00			--
0030	MPVR40856	N/A	PROTECTION AR 4	1,00			--
0031	VTRS48089	N/A	WASHER D.13,5X18 X1,5 RM.	1,00			--
0032	PVVR40522	N/A	CONNECTOR AR 4 G1/4 M OT	1,00			--
0033	GUGO40079	N/A	O-RING D. 11 X 4 VIT 75SH	1,00			--
0034	PVVR40523	N/A	JOINT BODY AR 4 OT	1,00			--
0035	SFVR40003	N/A	BALL D.5/32" AISI 420C I.3290	8,00			--
0036	MLML40043	N/A	SPRING D. 23 X24.0 D.1.4 IX	1,00			--
0037	PVVR40524	N/A	KNOB AR 4 INS.OT	1,00			--
0038	VTAE40010	N/A	CIRCLIP D.18 -D.1.5 AR 4	1,00			--



Ref. Part N.	Part N. 2	Description	Reference	Price
KTRI40243		KIT P 26- 26 SWIVEL G 5100	0015 0017 0018	--
KTRI40513		KIT P 26- 36 G 6000/II	0002 0003 0005 0006	--