

Receiver

From

Society
Reference
Address
Phone
Fax
E-mail

Item n° :

60141886

Model :

AQUAJET-INOX 112 M-G

Pump data

Pressure rating : 8 bar (800 kPa)
Min. fluid temperature : 0 °C
Max. fluid temperature : 35 °C
Max. Ambient temperature : 40 °C

Priming capacity :

H	m	2	3	4	5	6	7	8	9
Q	m³/h	3,06	2,82	2,58	2,4	2,04	1,74	1,5	1,2

Requested data

Flow :
Head :
Fluid : Water
Fluid Temperature : 20 °C
Density : 998,3 kg/m³
Kinematic viscosity : 1,005 mm²/s
Vapor pressure : 2,34 kPa

Hydraulic data (duty point)

Flow :
Head :

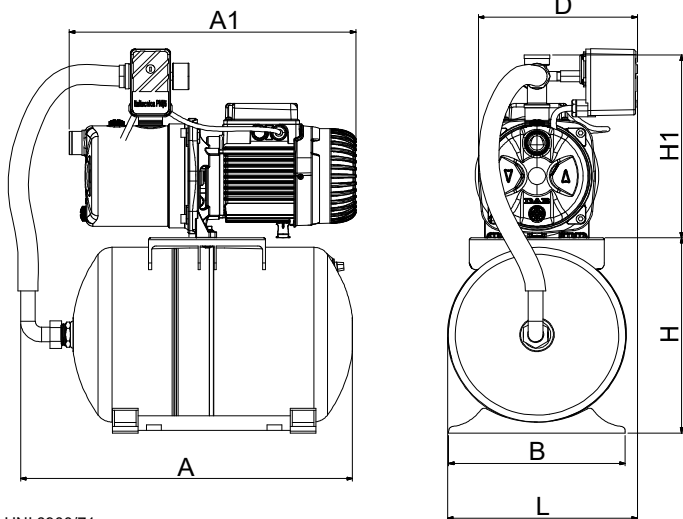
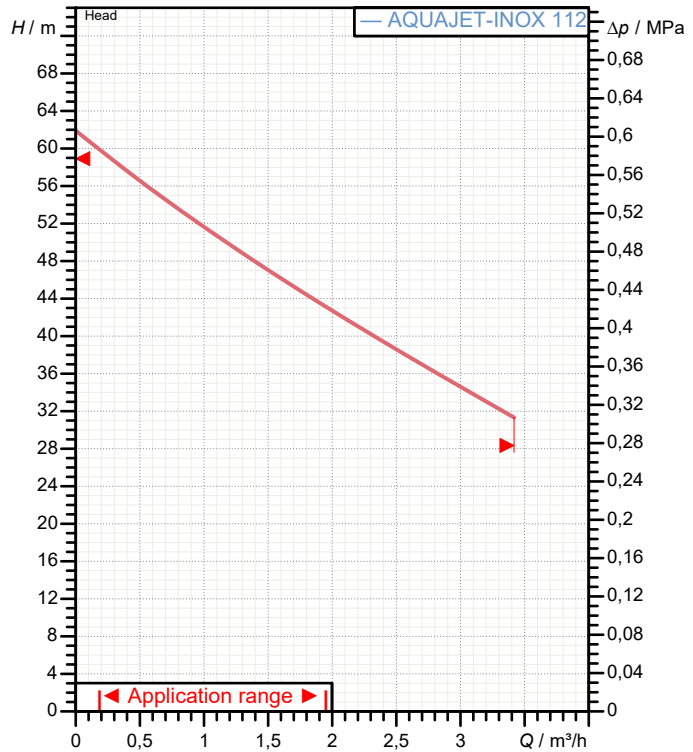
Materials

Pump body : AISI 304 X5 Cr Ni 1810 UNI 6900/71
Impeller : Technopolymer A
Shaft with rotor : AISI 303 X10 CrNiS 1809 UNI 6900/71
OR ring : NBR Rubber
Nozzle venturi diffuser assembly : Technopolymer A
Mechanical seal : Carbon/Ceramic
Disc seal : AISI 304 X5 Cr Ni 1810 UNI 6900/71

Motor data

Motor brand : DAB
Nominal power P2 : 1 kW
Rated speed : 2.750 1/min
Rated voltage : 1~ 220-240 V 50 Hz
Nominal current : 6,2 A
Degree of protection : IP 44

Curve tolerance according to ISO 9906



Dimensions in mm

A	494	DNA	1" GAS	L	283		
A1	426	DNM	1" GAS				
B	263	H	296				
D	237	H1	277				

Weight : 20 kg

Pump connection

Suction side : 1" G / 8 bar (800 kPa)
Discharge side : 1" G / 8 bar (800 kPa)



PERFORMANCE CURVES

2020-05-0€

Page 2 / 3

DAB PUMPS S.p.A.
Via Marco Polo, 14 - 35035 Mestrino (PD), Italy
Tel. +39 049 5125000 - Fax +39 049 5125950
www.dabpumps.com

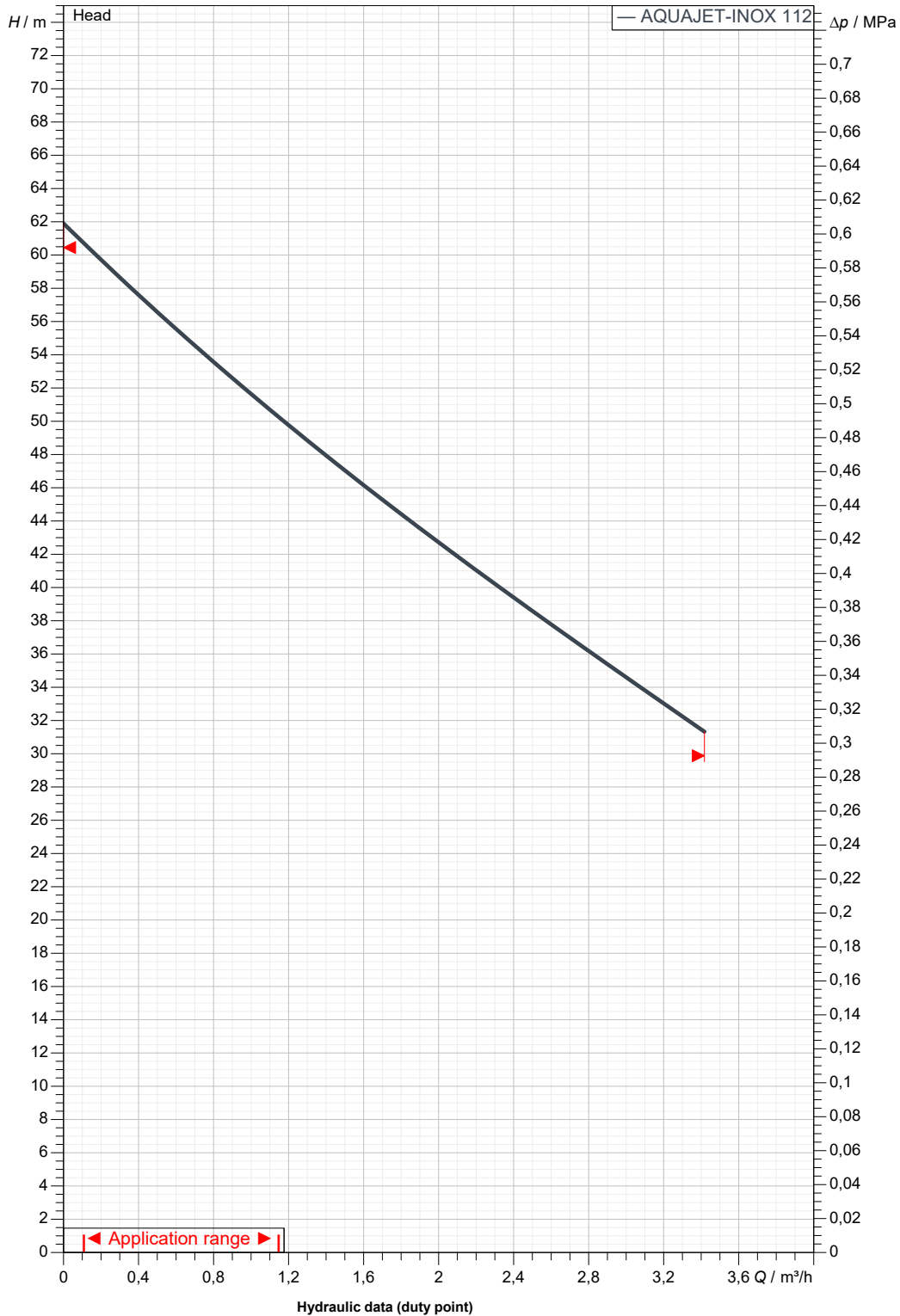
Receiver

From

Society
Reference
Address
Phone
Fax
E-mail

AQUAJET-INOX 112 M-G

Curve tolerance according to ISO 9906



Suction side :
1" G
8 bar (800 kPa)

Discharge side :
1" G
8 bar (800 kPa)

Flow :

Head :

Rated speed :
2.750 1/min

MAIN_PROJECT_TITLE

BUSINESS_PROCESS_ID

OWNER_

ISSUE_DATE



DIMENSIONAL DRAWING

2020-05-0€

Page 3 / 3

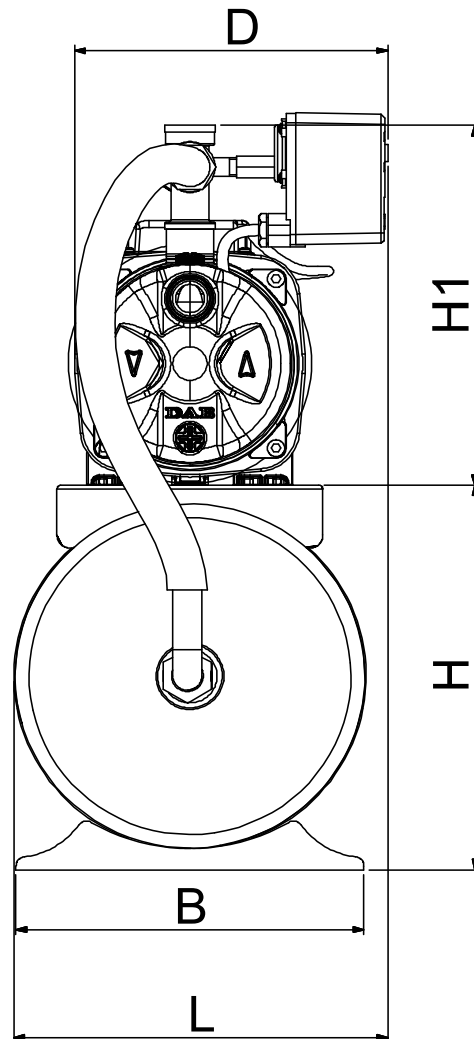
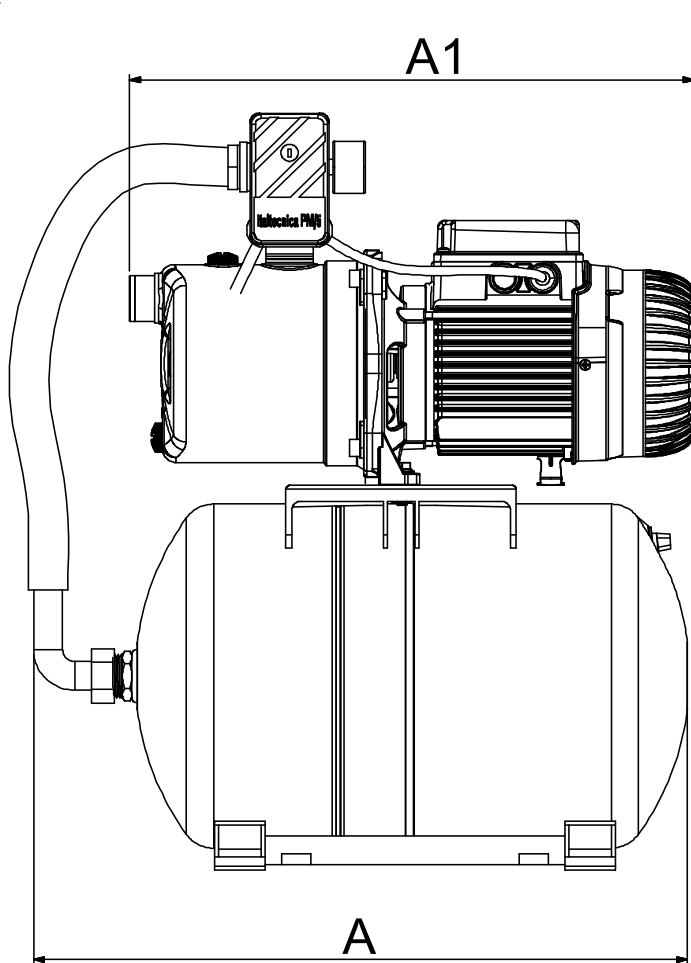
DAB PUMPS S.p.A.
Via Marco Polo, 14 - 35035 Mestrino (PD), Italy
Tel. +39 049 5125000 - Fax +39 049 5125950
www.dabpumps.com

Receiver

From

Society
Reference
Address
Phone
Fax
E-mail

AQUAJET-INOX 112 M-G



Dimensions in mm

Pump connection

1
2
3
4
5
6
7
8
9
10
11
12

A	494
A1	426
B	263
D	237
DNA	1" GAS
DNM	1" GAS
H	296
H1	277
L	283

Suction
1" G
8 bar (800 kPa)

Discharge
1" G
8 bar (800 kPa)

MAIN_PROJECT_TITLE

BUSINESS_PROCESS_ID

OWNER

ISSUE_DATE